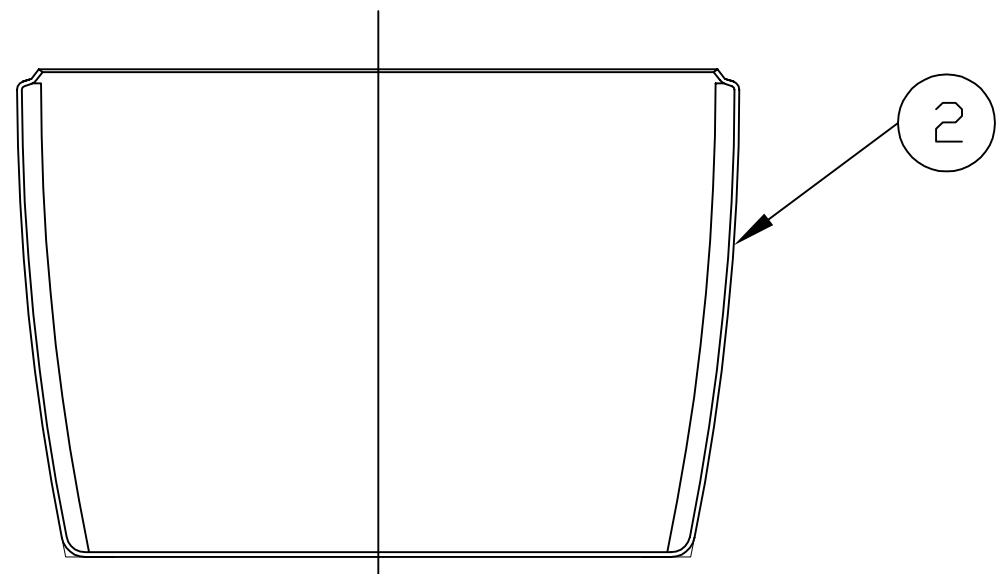
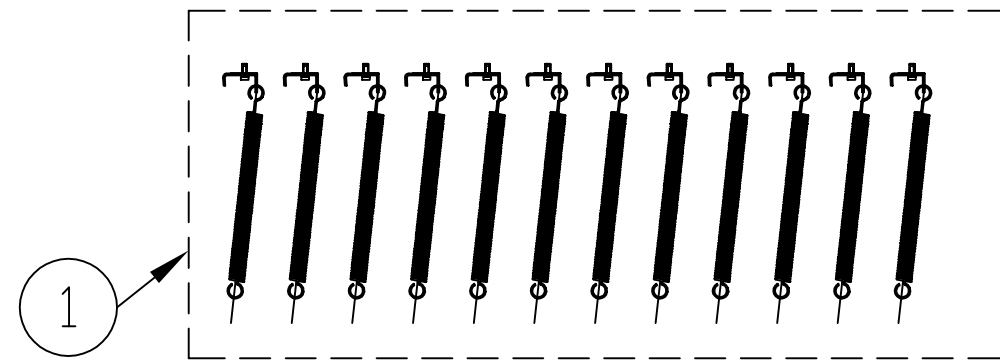
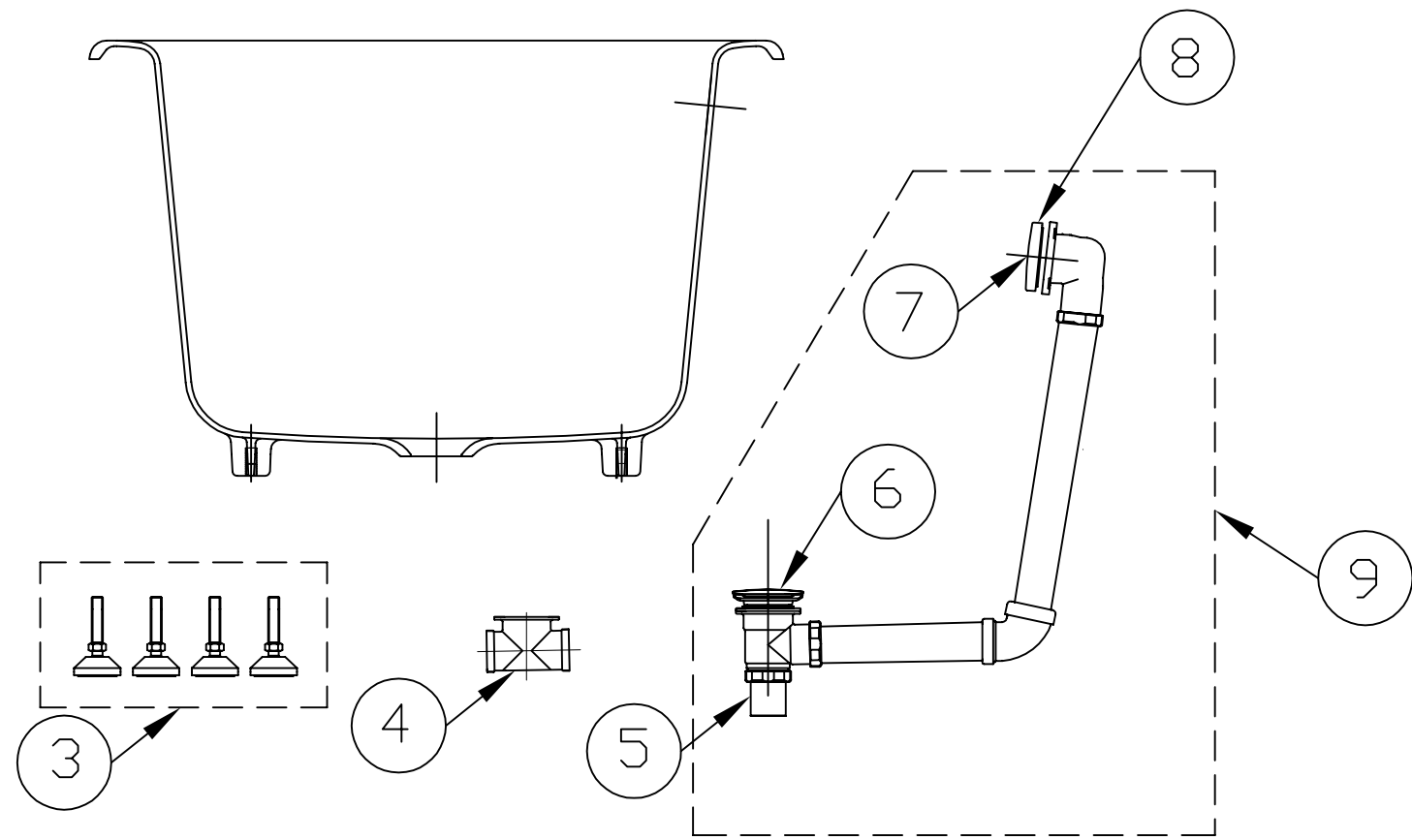


ITEM	DESCRIPTION	PART
1	PARTS KIT WITHOUT FEET	THU5162
2	ACRYLIC SKIRT	FBE1716C
3	PARTS KIT FEET ONLY	THU5165
4	DRAIN TEE	4BU5004
5	DRAIN TAILPIECE	4AU5001
6	STOPPER - POLISHED CHROME	9AU5021#CP
6	STOPPER - BRUSHED NICKEL	9AU5021#BN
7	OVERFLOW BUTTON - POLISHED CHROME	6AU5001#CP
7	OVERFLOW BUTTON - BRUSHED NICKEL	6AU5001#BN
8	OVERFLOW COVER - POLISHED CHROME	6AU5002#CP
8	OVERFLOW COVER - BRUSHED NICKEL	6AU5002#BN
9	DRAIN	THU5160#CP



PROPRIETARY AND CONFIDENTIAL
 THE INFORMATION CONTAINED IN THIS
 DRAWING IS THE SOLE PROPERTY OF
 TOTO U.S.A., INC. ANY
 REPRODUCTION IN PART OR AS A WHOLE
 WITHOUT THE WRITTEN PERMISSION OF
 TOTO U.S.A., INC. IS
 PROHIBITED.

		UNLESS OTHERWISE SPECIFIED:		NAME		DATE		DRAWING STATUS: DRAFT1	
		DIMENSIONS ARE IN INCHES		DRAWN		FRED KIRKSEY		2/2/10	
		TOLERANCES:		CHECKED				TOTO USA INC. MORROW	
		FRACTIONAL ±		ENG APPR.				TITLE:	
		ANGULAR: MACH ± BEND ±		MFG APPR.				CAST IRON NEXUS FREESTANDING EXPLODED VIEW	
		TWO PLACE DECIMAL ±		Q.A.				SIZE DWG. NO. REV	
		THREE PLACE DECIMAL ±		COMMENTS:				B PARTS B	
		INTERPRET GEOMETRIC TOLERANCING PER:						SCALE: WEIGHT: SHEET 1 OF 1	
		MATERIAL							
		TBD							
NEXT ASSY		USED ON							
		FINISH							
		TBD							
APPLICATION		DO NOT SCALE DRAWING							