

ECOPOWER® High-Efficiency Toilet Flush Valve for Reclaimed Water, 1.28 gpf

FEATURES

- 1.28 gpf
- Designed with robust materials necessary for reclaimed water use
- Self-powered hydroelectric flush valve system
- No minimum daily usage requirement
- Exposed flush valve with 1" angle stop and 1-1/2" vacuum breaker set
- Durable chrome plated body with tamper-proof screws and solid bronze valve body with EPD coating
- Self-cleaning piston valve with 360° filter screen
- Neutral rough-in and adjustable tail piece connection
- True mechanical flush override
- Smart sensor with self-adjusting detection range
- 6-second detection time with 3-second flush delay
- For toilet with 1-1/2" top spud inlet
- ADA compliant

MODELS

- TET1LAX32#CP (Top Spud)
 - TET1LAX#CP (1.28 gpf flush valve)
 - VB0932X#CP (1-1/2" vacuum breaker tube, 1" angle stop)

COLORS/FINISHES

- #CP Polished Chrome

CODES/STANDARDS

- Meets or exceeds 1037/ASME A112.1037/CSA B125.37
- Certifications: IAPMO(cUPC), EPA WaterSense, ASSE, State of Massachusetts, and others
- Code Compliance: UPC, IPC, NSPC, NPC Canada, and others
- Complies with CA Title 20 regulations and CalGreen
- ADA compliant
- Complies with CA Prop 65 warning requirements



CALGreen



Piston Valve

PRODUCT SPECIFICATION

TOTO® Model No. _____
 Product shall be 1.28 gpf. Product shall be an automatic infrared sensor-activated, toilet flush valve. Product shall use hydropower, ECOPOWER flush valve system. Product shall have durable chrome plated body with tamper-proof screws and solid bronze valve body. Product shall have smart sensor with self-adjusting detection range. Product shall have neutral rough-in and adjustable tail piece connection. Product shall have smart sensor with self-adjusting detection range. Product shall have true mechanical flush override. Product shall have 6-second detection time with 3 second delay after every flush. Product shall have piston with debris screen and solenoid with self-cleaning mechanism. Product shall be ADA compliant.

TET1LAX

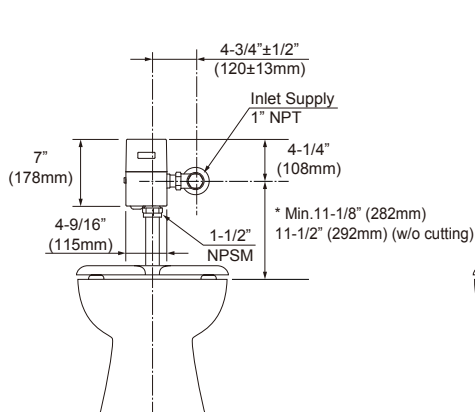
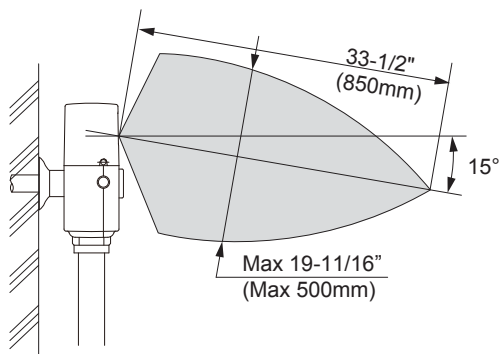
ECOPOWER® High-Efficiency Toilet Flush Valve for Reclaimed Water, 1.28 gpf

SPECIFICATIONS

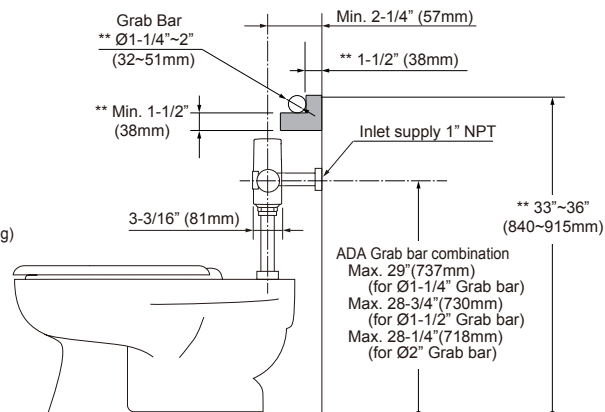
Material	Bronze casting
Power Supply	ECOPOWER
Sensor Detection Time	Factory setting at six (6) seconds minimum
Sensor Detection Range	Self-adjusting to environment
Discharge Quantity	Preset to 1.28 gpf / 4.8 lpf
Operating Temperature	32-104°F(0-40°C)
Water Supply Pressure	35 psi - 125 psi*
Water Supply Connection	1" NPT
Warranty	Three year limited

*Water pressures over 80 psi are not recommended for most plumbing fixtures. Check your local plumbing code for details.

DIMENSIONS



* Check local codes



** ADA 2010 Section 609

INSTALLATION NOTES

RECLAIMED WATER QUALITY PARAMETERS	
Chloride Ion Concentration	< 600mg/L
pH	5.8~8.6
Free Carbonate	< 50mg/L
Langelier's Index	> -3.00
Nitrate Ion Concentration	< 60mg/L
Conductivity	< 250mS/m
Sulfate Ion Concentration	< 100mg/L
Residual Chlorine Concentration	< 2mg/L
Hydrogen Sulfide Gas	None Existence
Suspended Solids	< 5mg/L

TOTO Reclaimed Water flush valves are designed to perform best when used with TOTO Reclaimed Water urinals/toilets and components. Although TOTO Reclaimed Water products may be used in combination with other reclaimed water product brands, optimal performance might be impaired and attempted use with any non-compliant reclaimed water product(s) could result in corrosion, leakage or void the warranty.

For commercial applications only. Product designed for reclaimed water use (with parameters specified above).

Warning: Adjust control stop for proper flow rate to the fixture. Failure to properly adjust angle stop to the appropriate level can potentially cause property damage.

For detailed installation instructions, please refer to the installation manual. Confirm with local codes and standards for floor drain requirement.

Max flow rate to be used with TET1LAX: 1.28 gpf

TOTO®

These dimensions and specifications are subject to change without notice