

Flushometer ADA Toilet, 1.28GPF when used with High Efficiency Flushometer Valve

FEATURES

- Floor-mounted
- ADA compliant
- Elongated front bowl
- Optional CeFiONtect™ ceramic glaze - prevents debris, mold and bacteria from sticking to ceramic surfaces, leading to fewer chemicals and less water in cleaning.
- Clear glazed trapway coating
- 10"-12" rough-in

MODELS

- CT705ELNG
Commercial ADA compliant, floor-mounted toilet with CeFiONtect ceramic glaze
- CT705ELN
Commercial ADA compliant floor-mounted toilet



ADDITIONAL ITEMS

- SC534 seat
- SC134 seat

FLUSH VALVES			
EcoPower®		Manual	
TET1LA32#CP	1.28GPF	TMT1LN32#CP	1.28GPF
TET1GA32#CP	1.6GPF	TMT1NNC-32	1.6GPF
TET2LA32#SS	1.28GPF		
TET2GA32#SS	1.6GPF		
TET3LA32#SS	1.28GPF		
TET3GA32#SS	1.6GPF		
TET6LA32#CP	1.28GPF		
TET6GA32#CP	1.6GPF		

COLORS/FINISHES

- Standard
#01 Cotton



PRODUCT SPECIFICATION

The floor-mounted, ADA compliant, low consumption siphon jet flushing toilet shall be 1.28GPF/4.8LPF when paired with a 1.28GPF flushometer valve and 1.6GPF/6.0LPF when paired with 1.6GPF/6.0LPF flushometer valve. Toilet shall be elongated front bowl and CeFiONtect ceramic glaze (CT705ELNG). Toilet shall be TOTO Model CT705ELN_____.

CODES/STANDARDS

- Meets and exceeds ASME A112.19.2/CSA B45.1, ASME A112.19.14,
- Certifications: IAPMO(cUPC), State of Massachusetts, City of Los Angeles, and others
- Code compliance: UPC, IPC, NSPC, NPC Canada, and others
- ADA compliant



CT705ELN(G)

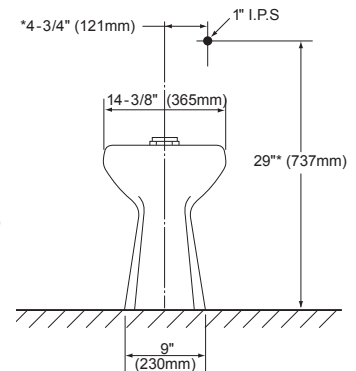
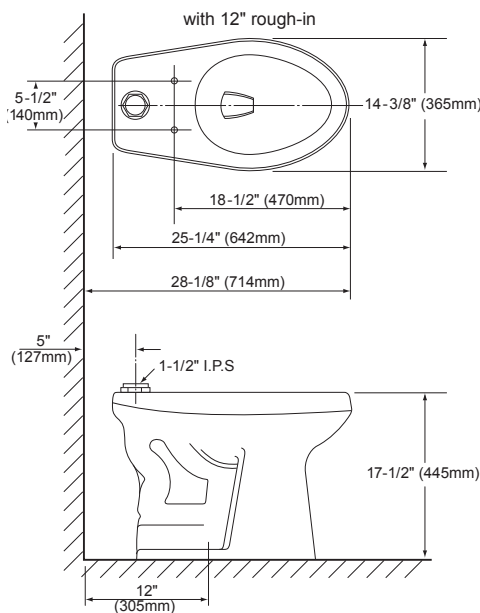
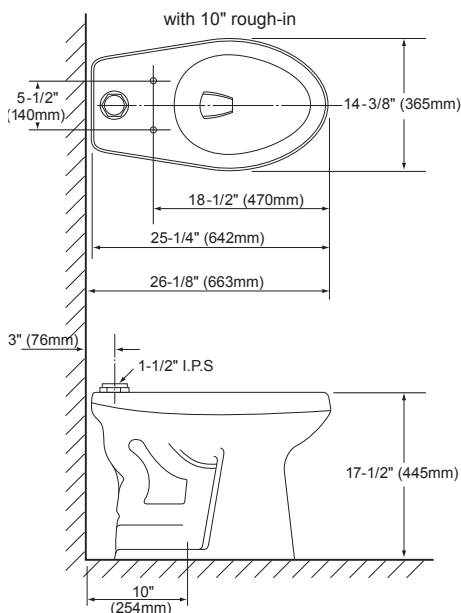
Flushometer ADA Toilet, 1.28GPF when used with High Efficiency Flushometer Valve

SPECIFICATIONS

- Water Use 1.28GPF/4.8LPF (or 1.6GPF/6.0LPF when used with 1.6GPF flush valve)
- Flush System Siphon jet flushing action
- Min. Water Pressure 35 psi (flowing)
- Min. Flow Rate 23 GPM
- Water Surface 10-3/4" x 9-1/4"
- Trap Diameter 1-7/8"
- Rough-in 12", or 10"
- Trap Seal 2-3/8"
- Warranty One Year Limited Warranty
- Material Vitreous china
- Shipping Weight CT705ELN(G) - 56.5lbs
- Shipping Dimensions CT705ELN(G) 26-1/2" L x 9-1/2" W¹ x 16-1/4" W² x 19-1/2" H

INSTALLATION NOTES

- Spuds are unique for TOTO product. For replacement spuds, contact TOTO for part number THU073R



TOTO

These dimensions and specifications are subject to change without notice