



WC - LULU

Tissue holder without cover - polished chrome

Article number: 83 500 710-00

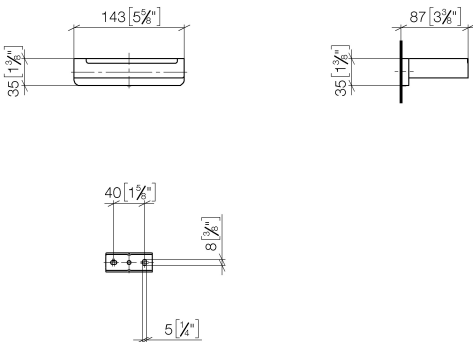
- Width 5-1/2"
- Height 1-3/8"
- 3-3/8" Projection



polished chrome

Dimensional drawing

mm [inches]



All dimensions in mm / inch = mm x 0,0394



WC - LULU

Tissue holder without cover - polished chrome

Article number: 83 500 710-00

Other surface finishes

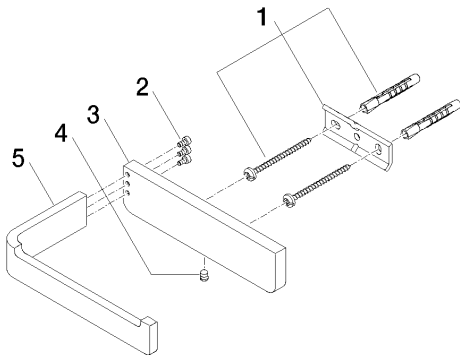


platinum matte

83 500 710-06

More custom finish options are available via special production (xTra Service). Please see our finish matrix for availability and pricing or contact a Dornbracht representative.

Spare parts list



Number	Item Number	Designation	Number of units
1	05 17 20 718 00 90	fixing set	1
2	90 30 30 059 00 90	screw	1
3	08 17 71 505-00	holder	1
4	04 31 11 112 00 90	pin	1
5	08 17 71 555-00	holder	1