

► **Code Number**

3370400

► **Description**

Exposed, Battery Powered, Sensor Activated Sloan ECOS[®] Electronic Dual Flush Model Water Closet Flushometer for floor mounted or wall hung top spud bowls.

► **Flush Cycle**

Full Flush (Large Button) / 1.6 gpf/6.0 Lpf Reduced Flush (Small Button) / 1.1 gpf/4.2 Lpf

► **Specifications**

Quiet, Exposed, Diaphragm Type, Closet Flushometer for either left or right hand supply with the following features:

- Handle Packing, Main Seat, Stop Seat and Vacuum Breaker Molded from PERMEX[®] Rubber Compound for Chloramine resistance
- PERMEX[®] Synthetic Rubber Diaphragm with Dual Filtered Fixed Bypass
- Initial Set-up Range Indicator Light (first 10 minutes)
- User friendly three (3) second Flush Delay
- "Low Battery" Flashing LED
- Reduces water volume by up to 30% when a reduced flush occurs
- Sweat solder adapter with cover tube and cast wall flange with set screw
- Latching Solenoid Operator
- Fixed Metering Bypass and No External Volume Adjustment to Ensure Water Conservation
- If the user is present for less than one minute and leaves the sensing zone or chooses the small override button, a reduced flush initiates (1.1 gpf/4.2 Lpf) eliminating liquid and paper waste, saving 1/2 gallon of water
- If the user is present for greater than one minute and leaves the zone or chooses the large override button, the full flush initiates (1.6 gpf/ 6.0 Lpf) eliminating solid waste and paper
- Engineered Metal Cover with replaceable Lens Window
- ADA Compliant Sloan ECOS[®] Electronic Battery Powered Infrared Sensor for automatic "No Hands" operation
- Four (4) Size AA alkaline Batteries included: Duracell[®] with DURALOCK Power Preserve Technology™-guaranteed for up to 10 years in storage

Valve Body, Tailpiece and Control Stop shall be in conformance with ASTM Alloy Classification for Semi-Red Brass. Valve shall be in compliance with the applicable sections of ASSE 1037. Installation conforms to ADA requirements.

- Courtesy Flush[®] Override Button
- Flush accuracy controlled by CID[®] technology
- Spud Coupling and Flange for 1 1/2" Top Spud
- 1" I.P.S. Screwdriver Bak-Chek[®] Angle Stop with Free Spinning Vandal Resistant Stop Cap



► **Automatic Operation**

Sloan ECOS[®] Flushometers can also be activated via multi-lobular infrared sensor. By detecting user presence and duration, the Sloan ECOS[®] Smart Sense Technology™ will determine the proper flush volume for unequalled water efficiency.

► **Manual Operation**

Sloan ECOS[®] Electronic Flushometers incorporate intuitive button design for easy manual activation. Straightforward graphics alert user to proper activation. The reduced flush for liquid waste or full flush for solid waste. To further educate the user, two (2) instructional wall plates are included with each Sloan ECOS[®] Flushometer.

► **Functional & Hygienic**

Touchless, sensor operation eliminates the need for user contact to help control the spread of infectious diseases. The Sloan ECOS[®] Electronic Flushometers are provided with Override Buttons to allow a "courtesy flush" for individual user comfort.

► **Patented**

D598,976

► **Compliance & Certifications**



This space for Architect/Engineer Approval

► **Accessories (Sold Separately)**

See Accessories Section and Sloan ECOS[®] accessories section of the Sloan catalog for details on these and other Sloan ECOS[®] flushometer variations.

► **Fixtures**

Consult factory for matching Sloan brand fixture options.

► **ELECTRICAL SPECIFICATIONS**

Control Circuit

- Solid State
- 6 VDC Input
- 8 Second Arming Delay
- 3 Second Flush Delay

Sensor Type

- Active Infrared

Sensor Range

- Nominal 22" - 42" (559 mm - 1067 mm) Self-adaptive Window: ± 10" (254 mm)

Battery Type

(4) AA Alkaline

Battery Life

6 Years @ 4,000 flushes/month

Indicator Lights

- Range Adjustment

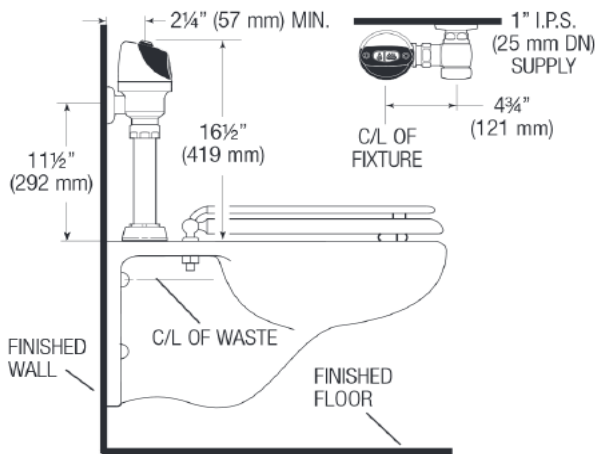
Operating Pressure

- 15 - 100 psi (104 - 689 kPa)

► **Sentinel Flush**

Automatic flush once every 72 hours after the last flush. Product shipped from factory with feature turned off. Consult factory to activate.

► **ROUGH-IN**



Model 8111

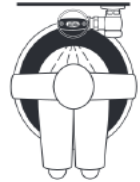
When installing the Sloan ECOS[®] Electronic Dual Flush in a handicap stall: Per the ADA Guidelines (section 604.9.4) it is recommended that the grab bars be split or shifted to the wide side of the stall.

► **OPERATION**

1. A continuous, invisible light beam is emitted from the Sloan ECOS[®] Flush Sensor.



2. As the user enters the beam's effective range, 22" to 42" (559 mm to 1067 mm), the beam is reflected into the Scanner Window to activate the Output Circuit. Once activated, the Output Circuit continues in a "hold" mode for as long as the user remains within the effective range of the sensor. If the user stays longer than 65 seconds, a full flush will automatically initiate when the user leaves.



3. Once a user is detected, if the user leaves in 65 seconds or less, a reduced flush will automatically initiate. The circuit automatically resets and is ready for the next user.

