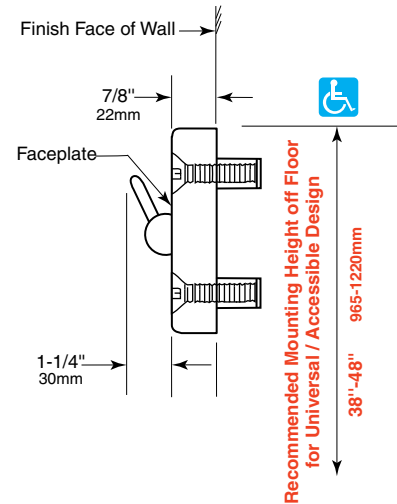
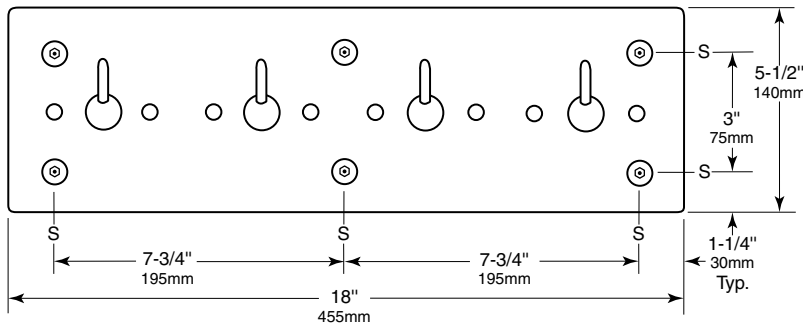




Technical Data

**VANDAL-RESISTANT
CLOTHES HOOK STRIP
(SECURED FROM FRONT)**

B-985



MATERIALS:

18-8, type-304 stainless steel with satin finish. Faceplate is 14-gauge (2mm). Hooks snap down for safety if excessively loaded.

INSTALLATION:

Secure unit to wall at all points indicated by an S. Unit has countersunk screw holes and is furnished with six 1/4-20 x 1 1/2" (6 x 38mm), tamper-resistant, flat-head, hex-socket, stainless steel machine screws and a security hex key for installation. Expansion shields are not furnished by manufacturer.

SPECIFICATION:

Clothes hook strip shall be type-304 stainless steel with satin finish. Faceplate shall be 14-gauge (2mm) and equipped with four hooks shall snap down for safety if excessively loaded. Unit shall be furnished with tamper-resistant mounting screws.

Clothes Hook Strip shall be Model B-985 of Bobrick Washroom Equipment, Inc., Clifton Park, New York; Jackson, Tennessee; Los Angeles, California; Bobrick Washroom Equipment Company, Scarborough Ontario; Bobrick Washroom Equipment Pty. Ltd., Australia; and Bobrick Washroom Equipment Limited, United Kingdom.