

TECHNICAL DATA SHEET

Auto Cut

Mechanical Hands Free Roll Towel Dispenser

Product Code: 9273 I

Automatic precision mechanical cutting dispenses 10" (254 mm) portions of roll towel.

SIMPLE TO USE
No adjustments needed

UNIVERSAL
Dispenses most types of roll towel

RELIABLE
Quick paper delivery
Dispenses 10" of paper with each pull

HYGIENE
Touchless

SAVINGS
No batteries required
High capacity; less frequent refills

INSTALLATION
Wall mounted

CLOSURE
With lock

COLOR
Transparent Black Pearl (TBK)

DIMENSIONS (H x W x D)
(383 x 315 x 238 mm)

CAPACITY
(1) 8" (200 mm) wide roll; 8" (200 mm) diameter

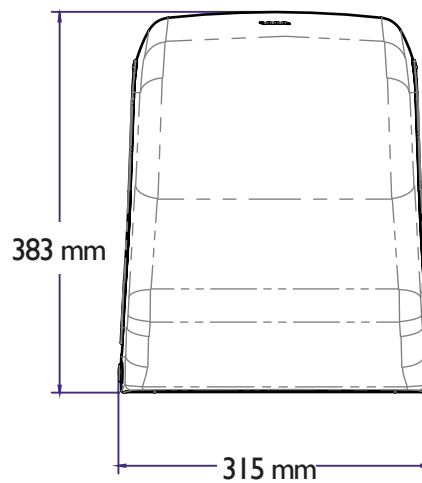
CORE DIAMETER
1.5" (38 mm)

CASE WEIGHT
2.72 kg

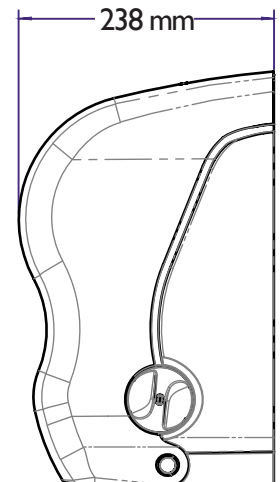
MATERIALS
Base: Break-resistant plastic
Cover: Break-resistant plastic



FRONT



SIDE



BACK

