

Commercial Wall-Hung Lavatory

FEATURES

- 21" x 18-1/4" lavatory with back splash
- Vitreous china
- ADA compliant
- Punching for concealed arm carrier
- Includes wall hanger
- Punching for concealed arm carriers
- Soap dispenser hole



MODELS

- LT307
Lavatory only, with single hole
- LT307.4
Lavatory only with 4" faucet centers
- LT307.8
Lavatory only with 8" faucet centers
- LT307A#01 (Cotton only)
Lavatory only with single hole. Side soap hole

CODES/STANDARDS

- Meets and exceeds ASME A112.19.2/CSA B45.1,
- Certifications: IAPMO(cUPC), State of Massachusetts, City of Los Angeles, and others
- ADA compliant
- Code compliance: UPC, IPC, NSPC, NPC Canada, and others



COLORS/FINISHES

- Standard
 - #01 Cotton
 - #03 Bone
 - #12 Sedona Beige

PRODUCT SPECIFICATION

The lavatory shall be 21" width and 18-1/4" depth. The basin shall be 14-15/16" width by 10-3/8" depth. The lavatory shall be made of vitreous china and can be installed at ADA height with rear overflow. TOTO model number LT307A#01 shall be drilled for soap dispenser. Lavatory shall be TOTO model LT307_____.

LT307(A)

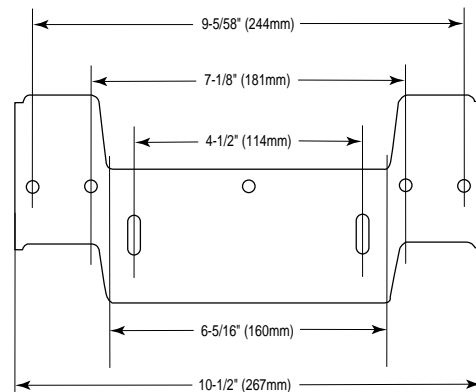
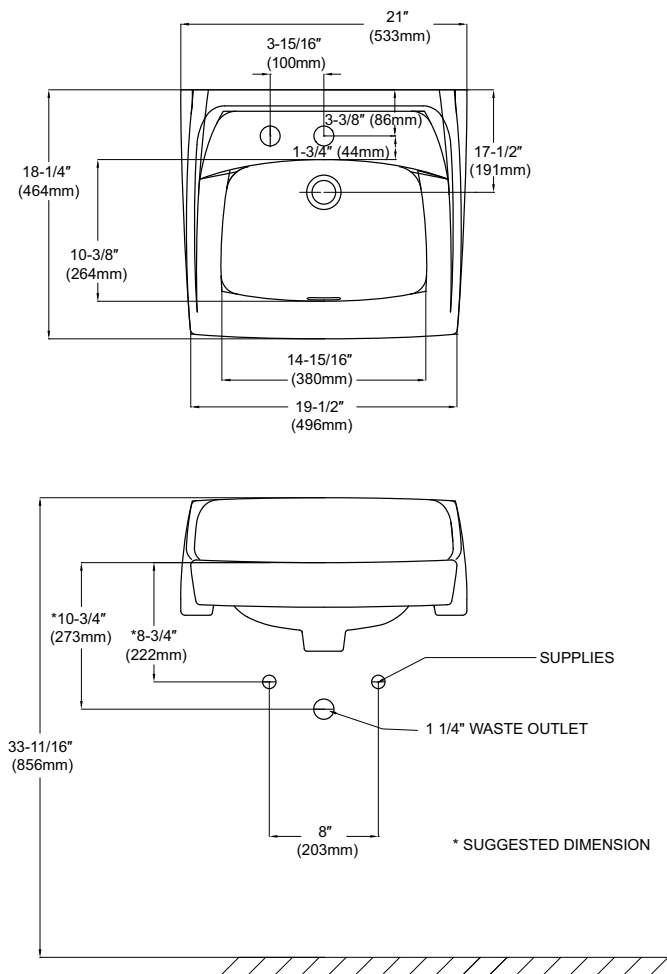
Commercial Wall-Hung Lavatory

SPECIFICATIONS

- Waste 1-1/4" O.D.
- Size 21"W x 18-1/4"D
- Warranty One Year Limited Warranty
- Material Vitreous china
- Shipping Weight 40 lbs.
- Shipping Dimensions 22-5/8" L x 19-1/8" W x 13-3/4" H

INSTALLATION NOTES

TOTO recommends the use of Jay R. Smith 0700 (Concealed Arms) with 19" arms 0800 (Wall Support Plate).



TOTO®

These dimensions and specifications are subject to change without notice