

## Wheelchair Users Lavatory

### FEATURES

---

- 20-1/2" x 27"
- Vitreous china
- ADA compliant
- Punching for concealed arm carrier
- No hardware included

### MODELS

---

- LT308  
Lavatory only, with single hole
- LT308.4  
Lavatory only with 4" faucet centers
- LT308.11  
Lavatory only with 11" faucet centers
- LT308A  
Lavatory only with single hole. Right side soap hole
- LT308.4A  
Lavatory only with 4" faucet centers. Right side soap hole
- LT308.11A  
Lavatory only with 11" faucet centers. Right side soap hole.



### CODES/STANDARDS

---

- Meets and exceeds ASME A112.19.2/CSA B45.1,
- Certifications: IAPMO(cUPC), State of Massachusetts, City of Los Angeles, and others
- ADA compliant
- Code compliance: UPC, IPC, NSPC, NPC Canada, and others



### COLORS/FINISHES

---

- Standard  
#01 Cotton  
#03 Bone  
#12 Sedona Beige

### PRODUCT SPECIFICATION

---

The wall-mount lavatory shall be made of vitreous china. Lavatory shall be 20-1/2" in length and 27" in width. Product shall be with front overflow and lavatory shall include mounting assembly. Lavatory shall be ADA compliant. Lavatory shall be TOTO Model LT308\_\_\_\_\_.

# LT308

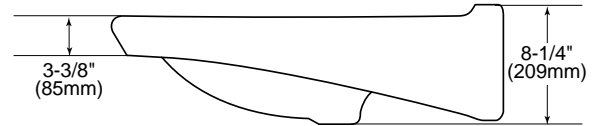
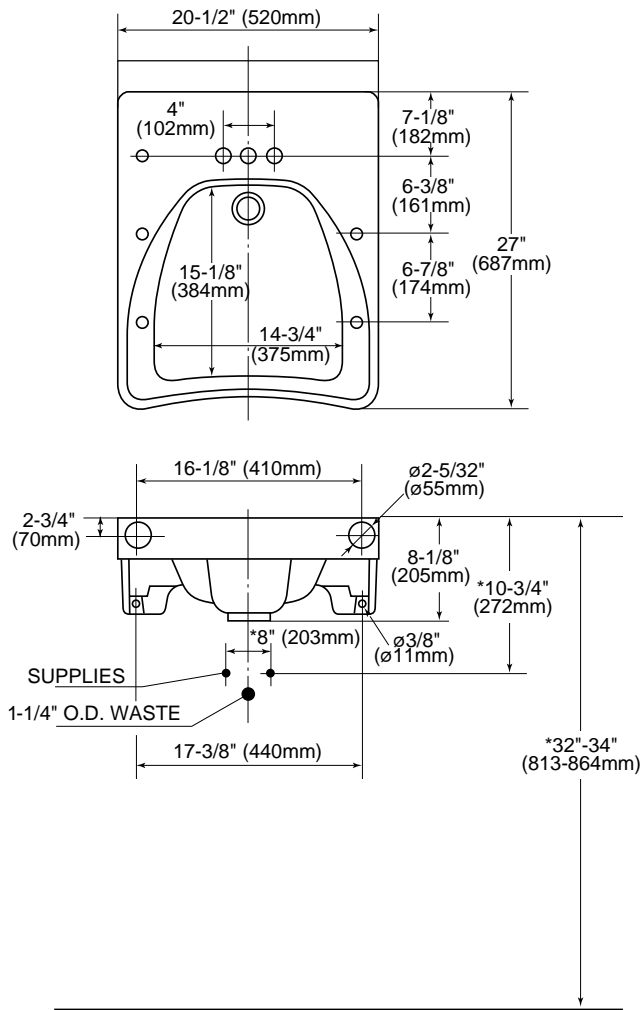
## Wheelchair Users Lavatory

### SPECIFICATIONS

- Waste 1-1/4" O.D.
- Size 20-1/2" W x 27" D
- Basin 15-1/8" W x 14-3/4" D
- Warranty One Year Limited Warranty
- Material Vitreous china
- Shipping Weight LT308/LT308.4/LT308.11  
56 lbs.
- Shipping Dimensions LT308/LT308.4/LT308.11  
29-1/8" L x 22-7/8" W x  
10-5/8" H

### INSTALLATION NOTES

TOTO recommends the use of Jay R. Smith 0700 (- 27 - M31) (Concealed Arms) or equal.



**TOTO**

These dimensions and specifications are subject to change without notice