

## Enameled Cast Iron Bathtub

### FEATURES

---

- 65-3/4" x 32" x 16-3/4"
- Apron front
- Cast-iron construction provides years of durability
- Slip-resistant surface
- Tile-in flanges on 3 sides

### COLORS/FINISHES

---

- Shell Color  
#01 Cotton  
#12 Sedona Beige

### MODELS

---

- FBY1715LP  
Left hand drain
- FBY1715RP  
Right hand drain

### CODES/STANDARDS

---

- Meets and exceeds ASME A112.19.1/CSA B45.2
- Certifications: IAPMO(cUPC), State of Massachusetts, City of Los Angeles and others
- Code Compliance: UPC, IPC, NSPC, NPC Canada, and others



### PRODUCT SPECIFICATION

---

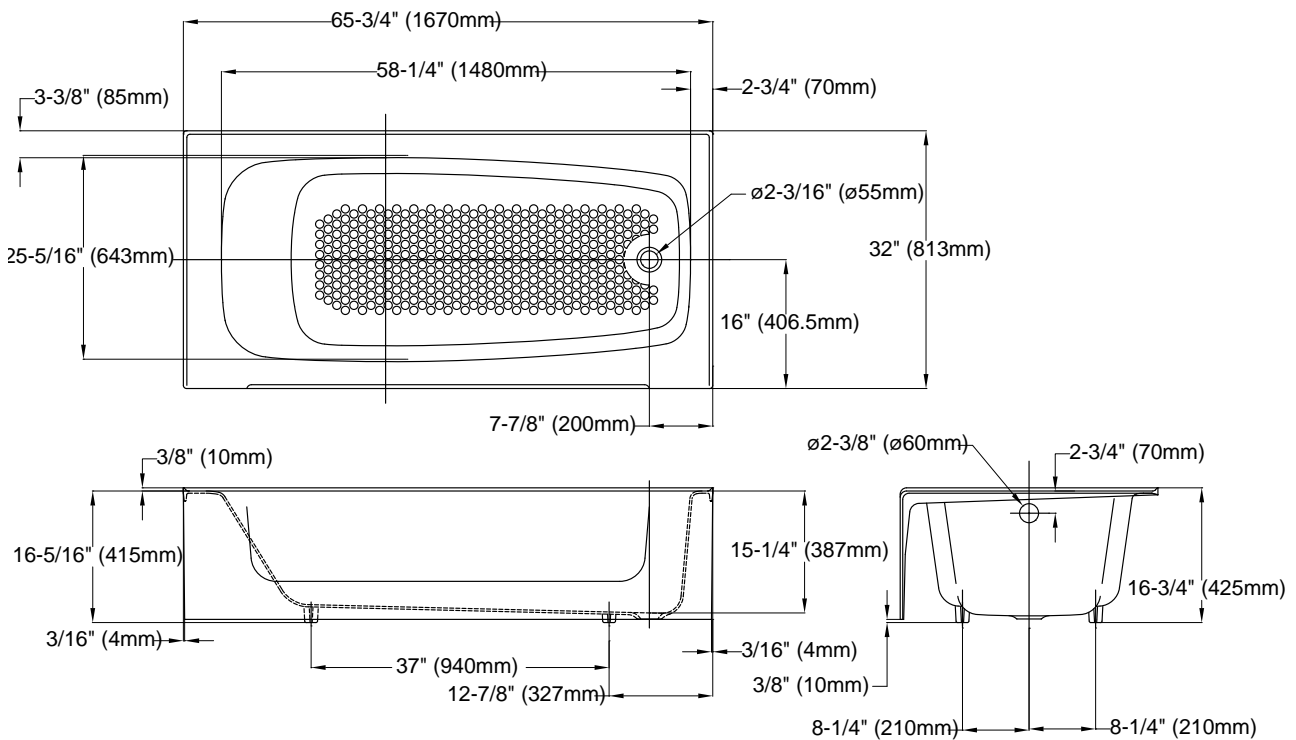
The Enameled Cast Iron Bathtub construction shall prove the ultimate in strength and durability, while a slip-resistant surface enhances safety in the bath. Cast Iron Bathtub shall be TOTO Model FBY1715\_\_.

# FBY1715

## Enameled Cast Iron Bathtub

### SPECIFICATIONS

- Size 65-3/4" L x 32" W
- Depth 16-3/4"
- Warranty Lifetime Limited Warranty
- Material Enameled Cast Iron
- Shipping Weight 441 lbs.
- Shipping Dimensions 68-11/16" L x 35-1/16" W x 20-1/4" H



**TOTO®**

*These dimensions and specifications are subject to change without notice*

Ph: (888) 295-8134 | Fax: (800) 699-4889 | www.totousa.com

Printed in U.S.A. | © TOTO LTD. 07/09 | Printed on recycled paper ♻️

#SS-00315, v.03