

Drake® Close Coupled Toilet, ADA, 1.6GPF

FEATURES

- G-Max® flushing system, low consumption (1.6GPF/6.0LPF)
- Universal Height
- Two-piece design with high-profile tank
- Elongated front bowl and tank set, less seat
- Chrome trip lever
- 12" Rough-in, less supply
- ADA compliant

MODELS

- CST744SL
Elongated bowl, 12" rough-in, less seat
- CST744SLB*
Same as above with bolt down lid (special order)
- CST744SLD*
Same as CST744SL with insulated tank (special order)
- CST744SLDB*
Same as CST744SL with bolt down lid & insulated tank (special order)
- CST744SLR*
Same as CST744SL with right hand trip lever (special order)

COMPONENTS

- C744EL - Elongated Front Bowl
- ST743S - Tank and Cover only - Left-hand trip lever
- ST743SR - Tank and Cover only - Right-hand trip lever
- SS114 SoftClose® seat (sold separately)
- SS204 SoftClose® seat (sold separately)
- SC534 Seat (sold separately)
- SC134 Seat (sold separately)

COLORS/FINISHES

- Standard
 - #01 Cotton
 - #03 Bone
 - #11 Colonial White
 - #12 Sedona Beige
 - #51 Ebony

PRODUCT SPECIFICATION

The two-piece G-Max flushing system toilet shall be 1.6GPF/6.0LPF. Toilet shall be universal height and ADA compliant. Toilet shall have high-profile tank, elongated front bowl and chrome trip lever. Toilet shall be TOTO Model CST744SL_____.



CODES/STANDARDS

- Meets and exceeds ASME A112.19.2/CSA B45.1,
- Certifications: IAPMO(cUPC), State of Massachusetts, City of Los Angeles, and others
- Code compliance: UPC, IPC, NSPC, NPC Canada, and others
- ADA compliant (when installed with trip lever located on the approach side)



CST744SL

Drake® Close Coupled Toilet, ADA, 1.6GPF/6.0 GPF

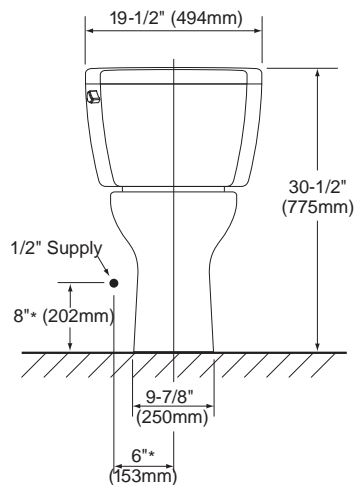
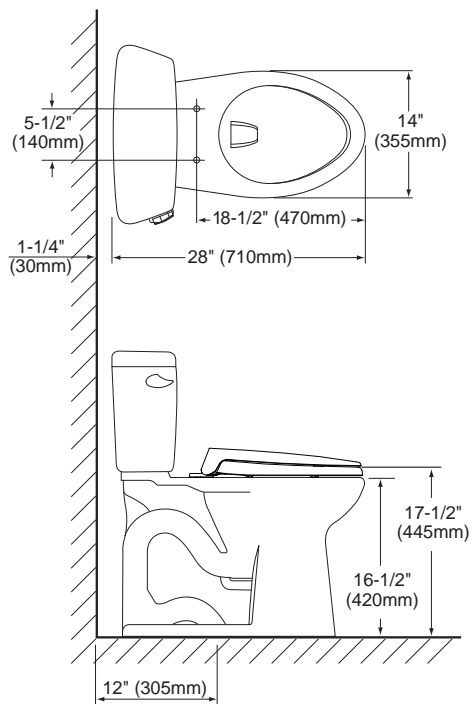
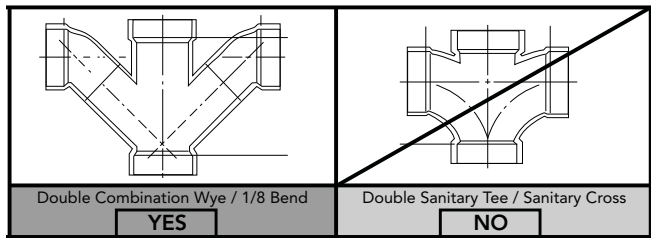
SPECIFICATIONS

- Water Use 1.6 GPF/6.0LPF
- Flush System G-Max
- Min. Water Pressure 8 psi (static)
- Water Surface 10-3/8" x 8-1/4"
- Trap Diameter 2-1/8"
- Rough-in 12"
- Trap Seal 2-3/8"
- Warranty One Year Limited Warranty
- Material Vitreous china
- Shipping Weight C744EL - 56.5lbs
ST743S - 35lbs
- Shipping Dimensions C744EL
29-1/2" L x 16" W1
x 10-1/4" W2 x 18-1/4" H

ST743S
20-1/8" L x 8-1/4" W
x 15-1/2" H

INSTALLATION NOTES

Back-to-Back Toilet Installations:
TOTO recommends the use of a nationally listed, double sanitary tee-wye only, in vertical waste stacks, in accordance with the stipulations noted in the majority of nationally recognized plumbing codes.



TOTO®

These dimensions and specifications are subject to change without notice