

FEATURES

- Closed front toilet seat and cover with SOFTCLOSE hinge system
- Mounting hardware included

MODELS

- SS114 - Elongated SOFTCLOSE seat
- SS113 - Round SOFTCLOSE seat



COLORS/FINISHES

- Standard
 - #01 Cotton
 - #03 Bone
 - #11 Colonial White
 - #12 Sedona Beige
 - #51 Ebony

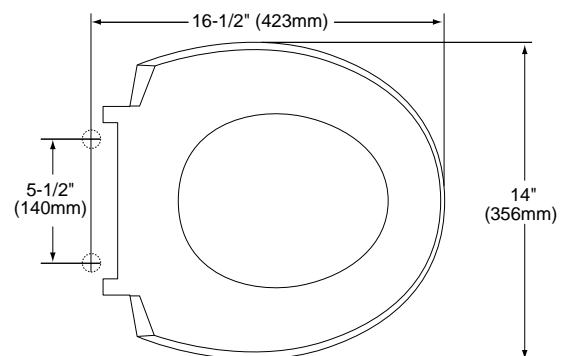
SPECIFICATIONS

- Warranty: 1-year limited warranty
- Material: Polypropylene
- Shipping Weight: 6.6 lbs. (SS114)/6.2 lbs. (SS113)
- Shipping Dimensions: 18-1/2" x 14-1/2" x 3"

PRODUCT SPECIFICATION

Seat shall be model # SS114 or # SS113____. Seat shall be solid plastic with closed front seat and cover. Wide back design shall feature a rounded cover with integral bumpers. Hinges to be color matched with noncorrosive nylon stud and nut.

SS113 - Round SOFTCLOSE Seat



SS114 - Elongated SOFTCLOSE Seat

