

# TOTO®

# MS854114/MS853113

## Ultimate® One-Piece Toilet, 1.6GPF

### FEATURES

- Power Gravity® flushing system, low consumption (1.6GPF/6.0LPF)
- One-piece decorative toilet with low-profile tank
- Elongated front bowl with SoftClose® seat (SS114) or round front bowl with SoftClose® seat (SS113)
- 12" Rough-in
- Chrome trip lever

### MODELS

- MS854114  
Elongated bowl with SoftClose seat (SS114)
- MS853113  
Round bowl with SoftClose seat (SS113)

### COLORS/FINISHES

- Standard
  - #01 Cotton
  - #03 Bone
  - #11 Colonial White
  - #12 Sedona Beige



**POWER** BY TOTO  
**GRAVITY**

### PRODUCT SPECIFICATION

The one-piece Power Gravity flushing system toilet shall be 1.6GPF/6.0LPF. Toilet shall be of elongated front bowl (MS854) or round front bowl (MS853) with a low-profile tank and SoftClose seat. Toilet shall have chrome trip lever. Toilet shall be TOTO Model MS854114\_\_\_\_\_ (elongated), MS853113\_\_\_\_\_ (round).

### CODES/STANDARDS

- Meets and exceeds ASME A112.19.2/CSA B45.1
- Certifications: IAPMO(cUPC), State of Massachusetts, City of Los Angeles, and others
- Code compliance: UPC, IPC, NSPC, NPC Canada, and others



# MS854114/MS853113

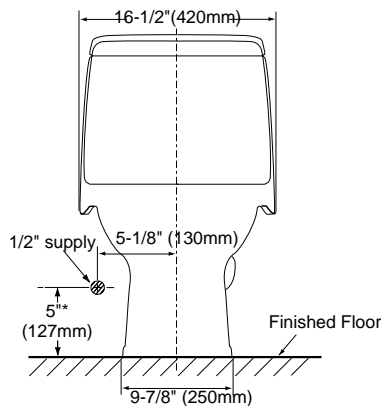
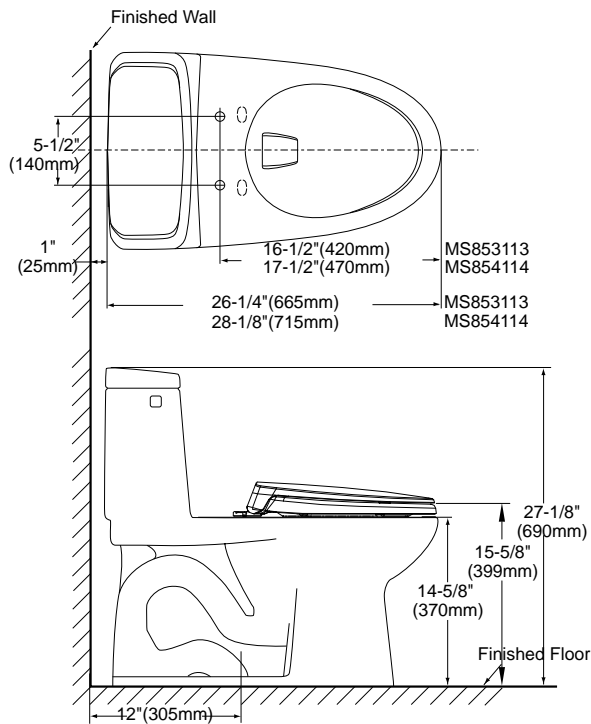
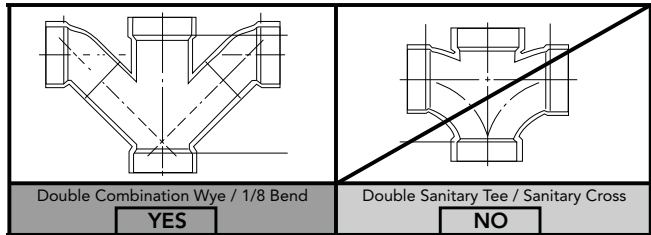
## Ultimate® One-Piece Toilet, 1.6GPF

### SPECIFICATIONS

- Water Use 1.6 GPF/6.0LPF
- Flush System Power Gravity®
- Min. Water Pressure 8 psi (static)
- Water Surface 10-1/4" x 8-1/4"
- Trap Diameter 2-1/8"
- Rough-in 12"
- Trap Seal 2-1/4"
- Warranty One Year Limited Warranty
- Material Vitreous china
- Shipping Weight MS854114 91 lbs.  
MS853113 93lbs.
- Shipping Dimensions 29-1/2" L x 18" W  
x 19-1/4" H1 x 27-1/8" H2

### INSTALLATION NOTES

Back-to-Back Toilet Installations:  
TOTO recommends the use of a nationally listed, double sanitary tee-wye only, in vertical waste stacks, in accordance with the stipulations noted in the majority of nationally recognized plumbing codes.



\*Suggested Dimension

**TOTO®**

These dimensions and specifications are subject to change without notice