

## Prominence® Wall-Mount Lavatory

### FEATURES

- 26" x 21-1/2"
- SanaGloss® ceramic glaze - prevents debris and mold from sticking to ceramic surfaces, leading to fewer chemicals and less water in cleaning (not avail on Ebony #51.)
- Elegant styling
- Rear overflow
- Vitreous china wall-mount and lavatory combination complete with mounting hardware

### MODELS

- LHT242G  
Wall-Mount lavatory with single hole with SanaGloss (#01, #03, #11, #12)
- LHT242  
Wall-Mount lavatory with single hole without SanaGloss (#51 only)
- LHT242.4G  
Wall-Mount lavatory with 4" faucet centers with SanaGloss (#01, #03, #11, #12)
- LHT242.4  
Wall-Mount lavatory with 4" faucet centers without SanaGloss (#51 only)
- LHT242.8G  
Wall-Mount lavatory with 8" faucet centers with SanaGloss (#01, #03, #11, #12)
- LHT242.8  
Wall-Mount lavatory with 8" faucet centers without SanaGloss (#51 only)

#### Available Components:

- LT242G - Lavatory with single hole with SanaGloss (#01, #03, #11, #12)
- LT242 - Lavatory with single hole without SanaGloss (#51 only)
- LT242.4G - Lavatory with 4" faucet centers with SanaGloss (#01, #03, #11, #12)
- LT242.4 - Lavatory with 4" faucet centers without SanaGloss (#51 only)
- LT242.8G - Lavatory with 8" faucet centers with SanaGloss (#01, #03, #11, #12)
- LT242.8 - Lavatory with 8" faucet centers without SanaGloss (#51 only)
- HT242 - Shroud only

### COLORS/FINISHES

- #01 Cotton
- #03 Bone
- #11 Colonial White
- #12 Sedona Beige
- #51 Ebony (not available in SanaGloss)



**SanaGloss**

Faucet sold separately

### CODES/STANDARDS

- Meets and exceeds ASME A112.19.2/CSA B45.1
- Certifications: IAPMO(cUPC), State of Massachusetts and others
- Code compliance: UPC, IPC, NSPC, NPC Canada, and others



### PRODUCT SPECIFICATION

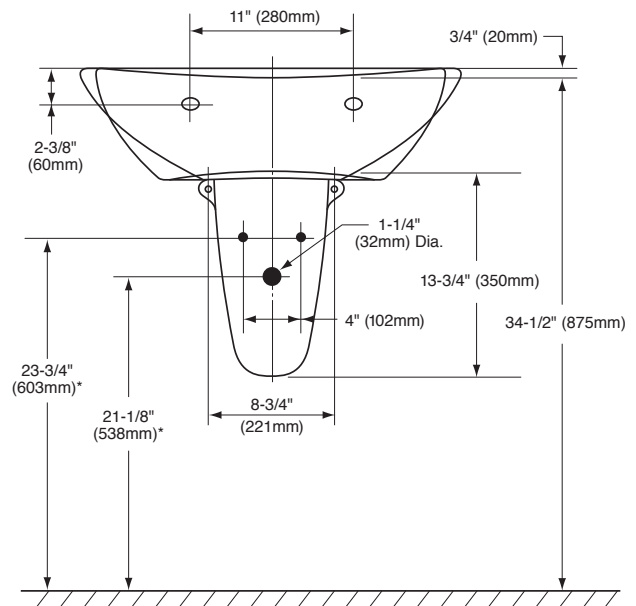
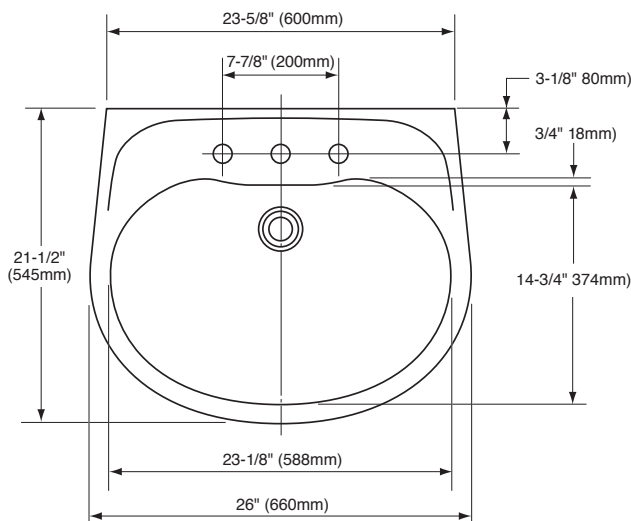
The lavatory shall be 26" by 21-1/2". The lavatory shall be made of vitreous china and have a rear overflow. The LHT242G lavatory shall have SanaGloss glazing. Lavatory shall be TOTO Model LHT242\_\_\_\_\_.

# LHT242(G)

## Prominence® Wall-Mount Lavatory

### SPECIFICATIONS

- Waste 1-1/4" O.D.
  - Size 26" x 21-1/2"
  - Basin 23-1/8" x 14-3/4"
  - Warranty One Year Limited Warranty
  - Material Vitreous china lavatory and shroud
  - Shipping Weight LT242(G)/LT242.4(G)/LT242.8(G)  
46 lbs.
- HT242  
15 lbs.
- Shipping Dimensions LT242(G)/LT242.4(G)/LT242.8(G)  
26" L x 21-7/8" W x 8-1/2" H
- HT242  
11-3/4" L x 10-1/4" W x  
14-1/8" H



\*Suggested Dimensions

**TOTO®**

These dimensions and specifications are subject to change without notice

Ph: (888) 295-8134 | Fax: (800) 699-4889 | www.totousa.com

#SS-00174, v.03  
Printed in U.S.A. | © TOTO USA 06/11 | Printed on recycled paper ♻️