

## Eco Drake® Close Coupled Toilet, ADA, 1.28GPF

### FEATURES

- E-Max® flushing system, low consumption (1.28GPF/4.8LPP)
- Universal Height
- Two-piece design with high-profile tank
- Elongated front bowl and tank set, less seat
- Chrome trip lever
- 12" Rough-in, less supply
- ADA compliant

### MODELS

- CST744EL  
Elongated bowl, 12" rough-in, less seat
- CST744ELR\*  
Same as CST744EL with right hand trip lever (special order)
- CST744ELRB\*  
Same as CST744EL with right hand trip lever and bolt-down tank lid (special order) (#01 Cotton only)

### COMPONENTS

- C744EL - Elongated Front Bowl
- ST743E - Tank and Cover only - Left-hand trip lever
- ST743ER - Tank and Cover only - Right-hand trip lever
- ST743ERB - Tank and Cover only - Right-hand trip lever and bolt-down tank lid (#01 Cotton only)
- SS114 SoftClose® seat (sold separately)
- SS204 SoftClose® seat (sold separately)
- SC134 commercial seat (sold separately)
- SC534 commercial seat (sold separately)

### COLORS/FINISHES

- #01 Cotton
- #03 Bone
- #11 Colonial White
- #12 Sedona Beige
- #51 Ebony

### PRODUCT SPECIFICATION

The two-piece E-Max flushing system toilet shall be 1.28GPF/4.8LPP. Toilet shall be universal height and ADA compliant. Toilet shall have high-profile tank, elongated front bowl and chrome trip lever. Toilet shall be TOTO Model CST744EL\_\_\_\_\_.



### CODES/STANDARDS

- Meets and exceeds ASME A112.19.2/CSA B45.1
- Certifications: IAPMO(cUPC), EPA Watersense, State of Massachusetts, City of Los Angeles, and others
- Code compliance: UPC, IPC, NSPC, NPC Canada, and others
- Legislative Compliance: California AB715, California Green Building Code, City of Los Angeles Water Efficiency Ordinance
- ADA compliant (when installed with trip lever located on the approach side)



# CST744EL

## Eco Drake® Close Coupled Toilet, ADA, 1.6GPF/6.0 GPF

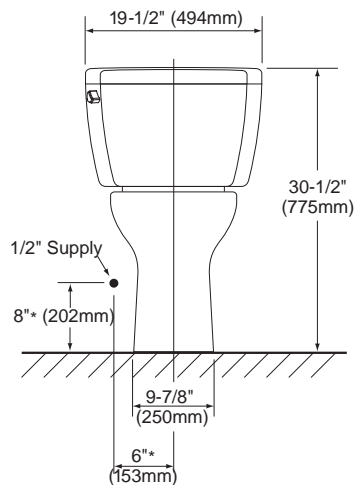
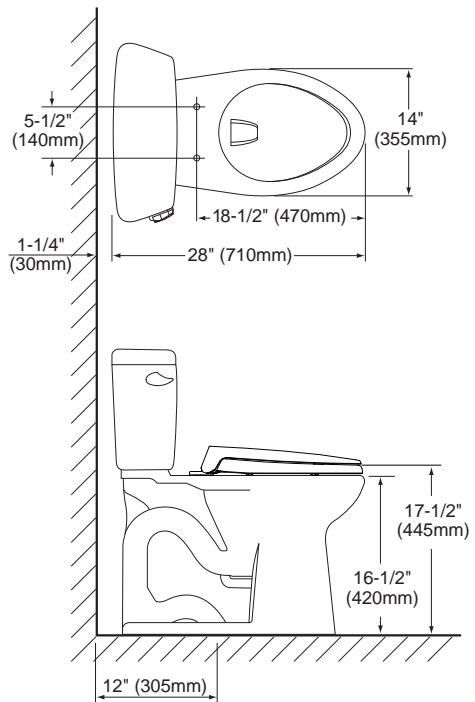
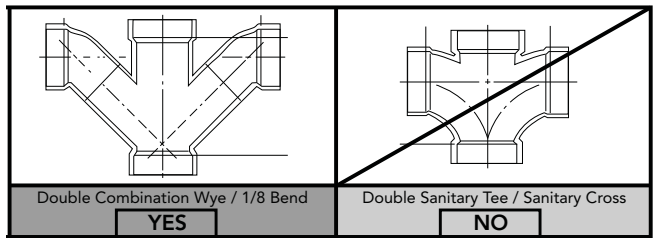
### SPECIFICATIONS

- Water Use 1.28 GPF/4.8LPF
- Flush System E-Max
- Min. Water Pressure 8 psi (static)
- Water Surface 10-3/8" x 8-1/4"
- Trap Diameter 2-1/8"
- Rough-in 12"
- Trap Seal 2-3/8"
- Warranty One Year Limited Warranty
- Material Vitreous china
- Shipping Weight C744EL - 56.5lbs  
ST743E(R)(B) - 35lbs
- Shipping Dimensions C744EL  
29-1/2" L x 16" W1  
x 10-1/4" W2 x 18-1/4" H

ST743E(R)(B)  
20-1/8" L x 8-1/4" W  
x 15-1/2" H

### INSTALLATION NOTES

Back-to-Back Toilet Installations:  
TOTO recommends the use of a nationally listed, double sanitary tee-wye only, in vertical waste stacks, in accordance with the stipulations noted in the majority of nationally recognized plumbing codes.



**TOTO**

*These dimensions and specifications are subject to change without notice*