

TOTO® CT708E(G) & CT708EV(G)

Wall-Mounted Flushometer Toilet, 1.28GPF when used with High Efficiency Flushometer Valve

FEATURES

- Wall-mounted outlet
- Elongated front bowl
- Optional SanaGloss® ceramic glaze - SanaGloss glaze prevents debris, and mold from sticking to ceramic surfaces, leading to fewer chemicals and less water in cleaning.

MODELS

- CT708E
Commercial wall-mounted toilet with 1-1/2' top spud inlet, less seat
- CT708EG
Commercial wall-mounted toilet with 1-1/2' top spud inlet, less seat with SanaGloss ceramic glaze
- CT708EV
Commercial wall-mounted toilet with 1-1/2' back spud inlet, less seat
- CT708EVG
Commercial wall-mounted toilet with 1-1/2' back spud inlet, less seat with SanaGloss ceramic glaze
- SC534 seat (sold separately)
- SC134 seat (sold separately)
- THU111 Retro-fit mounting bolt cap set (4 pcs sold separately)



FLUSHOMETER VALVES (sold separately)			
Manual		EcoPower®	
1.28 GPF	1.6 GPF	1.28 GPF	1.6 GPF
TMT1LN-32#CP	TMT1NNC-32#CP	TET1LN-32#CP	TET1GNC-32#CP
		TET6LN-32#CP	TET6GMC-32#CP

SanaGloss

COLORS/FINISHES

- #01 Cotton
- #03 Bone
- #12 Sedona Beige

PRODUCT SPECIFICATION

The wall-mounted, low consumption siphon jet flushing system toilet shall be 1.28GPF/4.8LPF when paired with a 1.28GPF flushometer valve and 1.6GPF/6.0LPF when paired with 1.6GPF/6.0LPF flushometer valve. Toilet shall have optional SanaGloss ceramic glaze. Toilet can be mounted at ADA height. Toilet shall be elongated front bowl. Toilet shall be TOTO Model CT708E_____.

CODES/STANDARDS

- Meets and exceeds ASME A112.19.2/CSA B45.1
- Certifications: IAPMO (cUPC), State of Massachusetts, City of Los Angeles, and others
- Code compliance: UPC, IPC, NSPC, NPC Canada, and others
- ADA Compliant

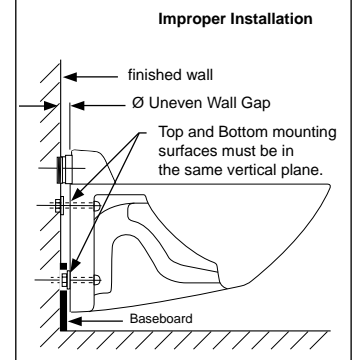
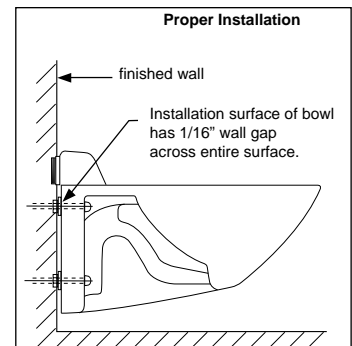
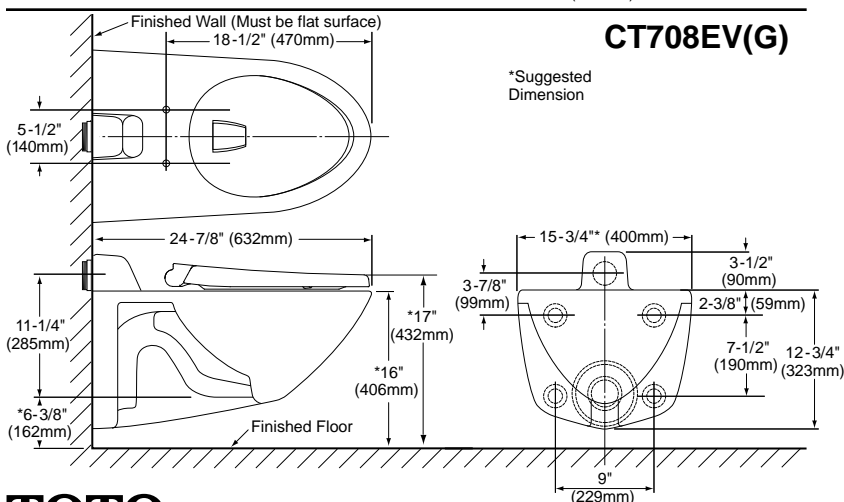
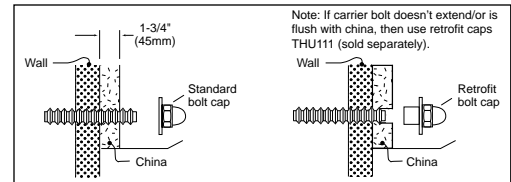
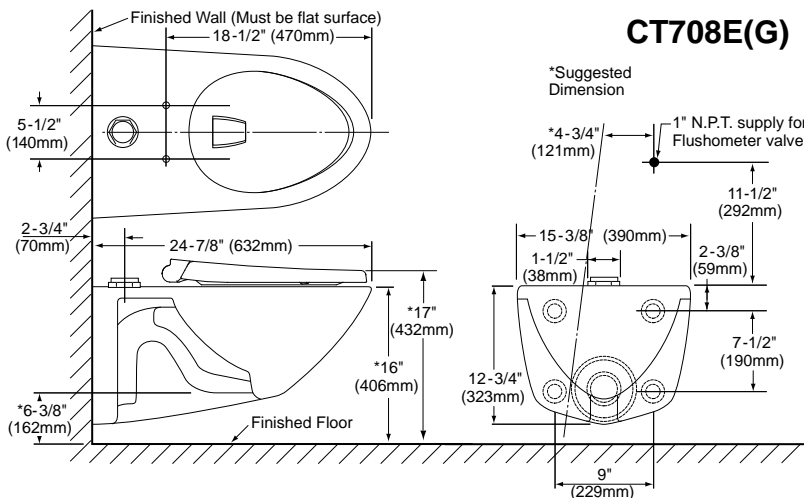


CT708E(G) & CT708EV(G)

Wall-Mounted Flushometer Toilet, 1.28GPF when used with High Efficiency 1.28GPF Flushometer Valve

SPECIFICATIONS

- Water Use 1.28GPF/4.8LPF
- Flush System Siphon jet flushing action
- Min. Water Pressure 35 psi (flowing)
- Min. Flow Rate 23 GPM
- Water Surface 12" x 9-1/4"
- Trap Diameter 2-1/8"
- Trap Seal 2-5/8"
- Warranty One Year Limited Warranty
- Material Vitreous china
- Shipping Weight CT708E(G) - 49lbs
CT708EV(G) - 53.5lbs
- Shipping Dimensions CT708E(G)
17-1/8" L x 16" W x 26" H
CT708EV(G)
15-1/2" L x 15-1/2" W x 26-3/8" H



TOTO

These dimensions and specifications are subject to change without notice