

## Soirée® Thermostatic Mixing Valve Trim with Single Volume Control

### FEATURES

- For use with the TSTA/TSTAR SMA thermostatic mixing valve

### COLORS/FINISHES

- #CP Polished Chrome
- #BN Brushed Nickel
- #PN Polished Nickel

### CODES/STANDARDS

- Meets or exceeds ASME A112.18.1/CSA B125.1, ASSE 1016
- Certifications: IAPMO(cUPC), State of Massachusetts, City of Los Angeles, and others
- Code Compliance: UPC, IPC, NSPC, NPC Canada, and others



### PRODUCT SPECIFICATION

Thermostatic mixing valve trim shall include mixing valve and separate volume control. Trim shall include front seal plate assembly. Shower trim shall be TOTO Model TS960C\_\_\_\_ and required valve shall be TSTA/TSTAR.



# TS960C

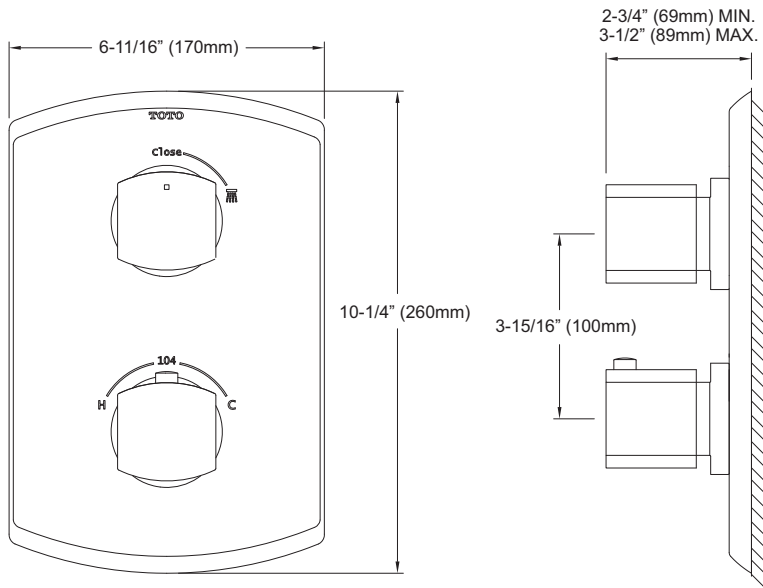
## Soirée® Thermostatic Mixing Valve Trim with Single Volume Control

### SPECIFICATIONS

- Warranty Lifetime Limited Warranty (Residential Use)  
One Year (Commercial Use)
- Material Brass
- Shipping Weight 5.5 lbs.
- Shipping Dimensions 11-3/4" L x 10-3/4" W x 3-1/2" H

### INSTALLATION NOTES

VALVE REQUIRED:  
SMA thermostatic mixing valve, model TSTA or TSTAR  
sold separately.



**TOTO®**

*These dimensions and specifications are subject to change without notice*