

FEATURES

- 29-1/2" x 11-13/16"
- SanaGloss® ceramic glaze - prevents debris and mold from sticking to ceramic surfaces, leading to fewer chemicals and less water in cleaning
- Contemporary styling
- Vitreous china wall-mount with mounting hardware

MODELS

- LT650G
Wall-mount lavatory with single hole



SanaGloss

Faucet sold separately

COLORS/FINISHES

- #01 Cotton
- #12 Sedona Beige

PRODUCT SPECIFICATION

The lavatory shall have SanaGloss glazing and be 29-1/2" width and 11-13/16" depth. The lavatory shall be made of vitreous china. Lavatory shall be TOTO Model LT650G.

CODES/STANDARDS

- Meets and exceeds ASME A112.19.2/CSA B45.1
- Certifications: IAPMO(cUPC), State of Massachusetts, City of Los Angeles, and others
- Code compliance: UPC, IPC, NSPC, NPC Canada, and others



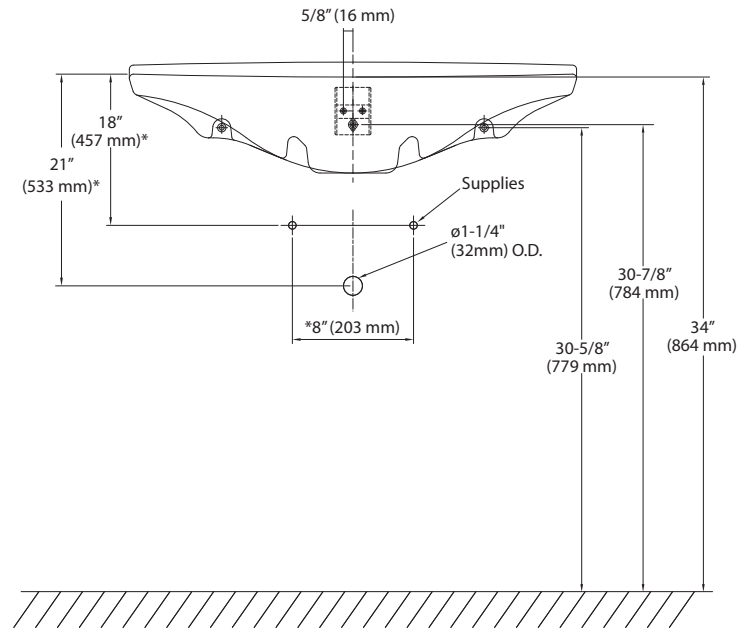
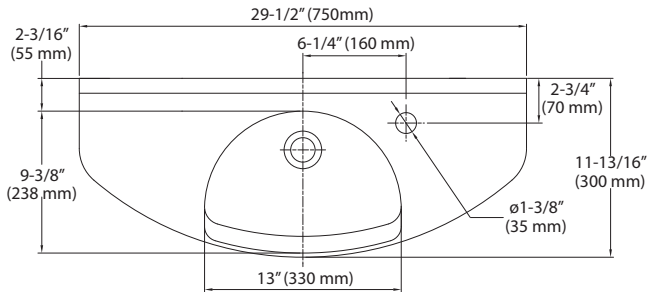
LT650G

Wall-Mount Lavatory

SPECIFICATIONS

- Waste 1-1/4" O.D.
- Size 29-1/2" W x 11-13/16" D
- Basin 13" W x 9-3/8" D
- Warranty One Year Limited Warranty
- Material Vitreous china
- Shipping Weight LT650G
27.5 lbs.

- Shipping Dimensions LT650G
30-3/8" W x 8-1/8" D x
13-1/4" H



*Suggested Dimensions

TOTO

These dimensions and specifications are subject to change without notice