



SOAP DISPENSER SMART

Technical Specifications

AC27450

General Description:

1000 ml Soap Dispenser. With a new push button design integrated in the front cover, anti-corrosion and anti-drip valve and with the possibility of converting it to a cartridge. Lid smoke and base gray. With slot in the center to see soap consumption. Indicated for high turnover public toilets

IMAGE



Components and Materials:

Base fabricated in ABS

Lid fabricated in ABS with matte black coating

Tank made of Polyethylene

Includes installation kit

-

Technical Characteristics:

Dimensions in Millimeters:	Height: 236	Lenght: 119	Width: 89
Dimensions in Inches:	Height: 9.29"	Lenght: 4.68"	Width: 3.50"
Dimensions in Inches:	Height: 9 19/64"	Lenght: 4 11/16"	Width: 3 1/2 "
Capacity:	800 ml.	27.0512 oz	
Quantity shipped:	1.8 ml approx		
Weight:	1000 ml.	33.81 oz.	
Content per box:	1 piece per box		
Finish:	Smooth		

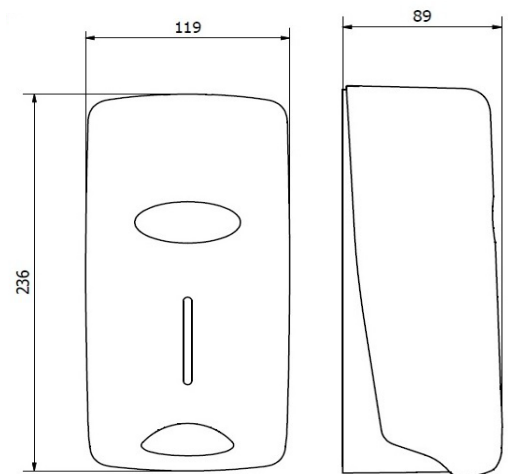
Equipment Cleaning:

Wipe surface with a clean damp cloth. Solvents can dull material and erase the silkscreen.

Visualization

Functioning:

Place the palm of the hand on the button and press to obtain a soap discharge from below.



Installation:

Suggested 15 to 20 cm. above the sink

VALIDATE

DEPARTMENT OF ENGINEERING
 AUTHORIZED BY: LAURA LILIA GUERRERO
 ELABORATED BY: GUADALUPE DE LA LUZ
 CODE: ING-FO-01
 FORMAT AND AVAILABLE: ENGINEERING
 REV-01 VER- 01

JOFEL reserves the right to make modifications and/or changes in the products and components as well as in their specifications without prior notice.