

Neorest 700H Elongated Toilet/Bidet

FEATURES

- Cyclone® siphon jet flushing system, ultra-high efficiency (1.0GPF/3.8LPF and 0.8GPF/3.0LPF).
- SanaGloss® ceramic glaze minimizes debris, mold and bacteria from sticking to porous, ceramic surfaces
- Dual flush function
- Universal height
- Auto lid open/close, auto flush
- eWater+
- Multifunctional remote control
- Adjustable heated seat
- Adjustable spray position
- Washlet with three wash modes (front, rear, soft)
- Oscillating and pulsing comfort washing
- Energy saver timer
- Built-in air purifying system
- Back-up manual flush
- ADA Compliant

COMPONENTS

- SN992M - Top Unit
- CT992CUMFG - Elongated Bowl

Note: SN992M Only compatible with CT992CUMFG

COLORS/FINISHES

- #01 Cotton

PRODUCT SPECIFICATION

The Neorest 700H with the Cyclone flushing system toilet shall be 1.0GPF/3.8LPF and 0.8 GPF/3.0 LPF. Toilet shall have SanaGloss ceramic glaze and be at Universal Height. Toilet shall be of skirted design, elongated front bowl with auto open and close seat. Toilet shall be **TOTO Model MS992CUMFG**.



eWater+™
SanaGloss
CYCLONE
FLUSHING SYSTEM BY TOTO

CODES/STANDARDS

- Meets and exceeds ASME A112.4.2, ASME A112.19.2/CSA B45.1, ASME A112.18.1/CSA B125.1, UL 1431, CSA C22.2 # 68
- Certifications: IAPMO(cUPC), State of Massachusetts, City of Los Angeles and others
- Code Compliance: UPC, IPC, NSPC, and others
- ADA Compliant



MS992CUMFG

Neorest 700H Elongated Toilet/Bidet

SPECIFICATIONS

Water Use: 1.0 GPF/3.8 LPF
& 0.8 GPF/3.0 LPF

Flush System: Cyclone Siphon Jet

Water Pressure: Min 7 PSI (0.05MPa) Flowing
Max 105 PSI (0.75 MPa) Static

Min Flow Rate: 2.64 gal/min (10 L/min)

Water Surface: 8-3/4" x 7-1/4"

Trap Diameter: 2-1/8" (54 mm)

Rough In: 12" rough in
Warning: If there is a base board in the restroom, the center of the floor drain should be a minimum of 12" from the base board.

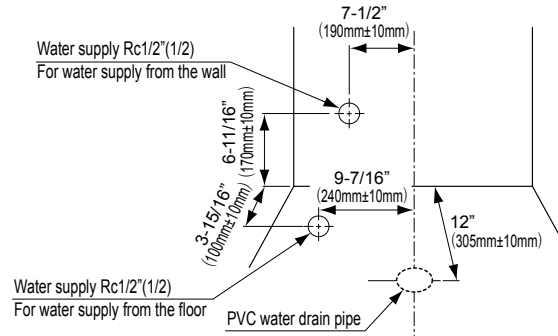
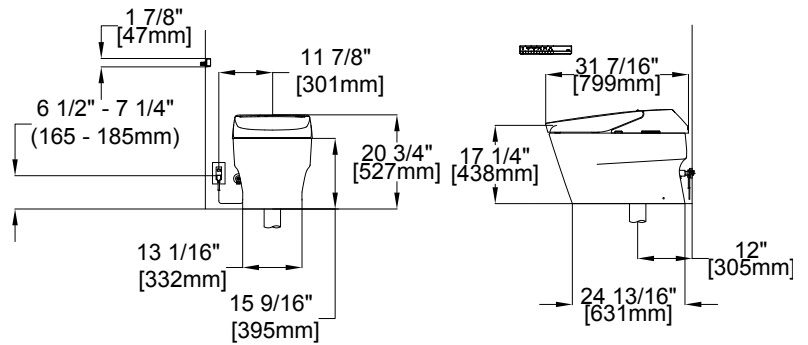
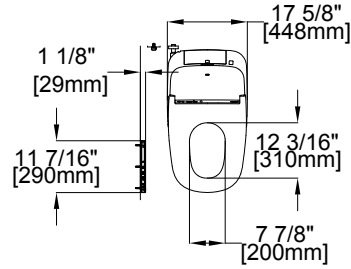
Trap Seal: 2-1/16" (53 mm)

Warranty: Three Year Limited (Residential)
One Year Limited (Commercial)

Material: Bowl: Vitreous china
Seat and cover: Plastic

Shipping Weight: Top Unit - SN992M 17.6lbs
Bowl Unit - CT992CUMFG 106lbs

Shipping Dimensions: SN992M -
20-5/8" x 34-13/16" x 8-13/16"
CT992CUMFG -
18-13/16" x 33-1/4" x 24-7/8"



Power Rating 120V AC, 60 Hz.1300W

Power Cord Maximum length: 4 ft (1.2 m)

Water Feature Adjustable Water Flow Rate

Rear Washing from 9.1 to 14.5 oz/min.

Soft Washing from 10.8 to 14.5 oz/min.

Front Washing from 9.8 to 14.5 oz/min.

Wide Front Washing from 11.8 to 14.5 oz/min.

Washing Spray Temperature Minimum: 86° F/30° C
Maximum: 104° F/40° C

Safety Feature Temperature fuse and float switch

Drying Feature Air Temperature:
High: About 130° F/55° C
Low: About 95° F/35° C

Capacity of Air 10.2 ft³/min

Safety Feature Temperature fuse

Seat Warming Feature Surface Temperature:
Minimum: 82° F/28° C
Maximum: 97° F/36° C

Seat Heater Capacity 60W

Safety Feature Thermal fuse

Air Purifying Feature Method: O₂ Deodorizer
Air Volume: 5.7 ft³/min

Ambient Temperature Range 33° F/1° C to 104° F/40° C

Product Size 17-5/18" x 31-7/16" x 20-3/4"

Weight Net: 123.6 lbs.

Floor to Seat Height: 17 1/4" (438mm)

TOTO

These dimensions and specifications are subject to change without notice

Ph: (888) 295-8134 | Fax: (800) 699-4889 | www.totousa.com

Printed in U.S.A. | © TOTO USA 12/12 | Printed on recycled paper ♻️

#SS-00995 v.02